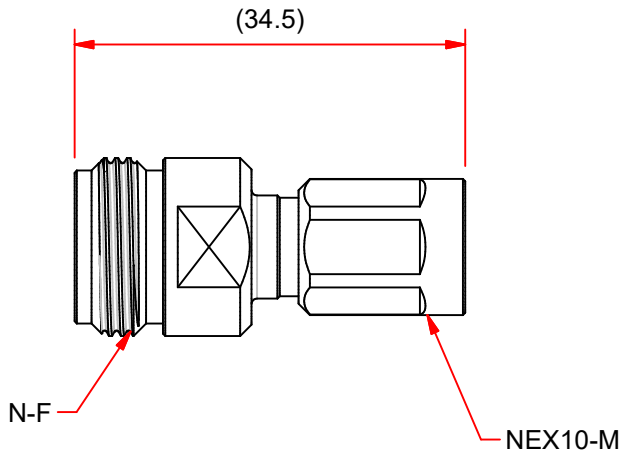


RFCOMPONENTS.COM.AU

NEX10 to N Adaptor

DC-6 GHz, NEX10 Male to N Female RF Coaxial Adaptor



RFADP-NEX10M-NF

LOW PIM SERIES

Rev 2

REFERENCE STANDARD	IEC61169-16&NEX 10
1. ELECTRIC PERFORMANCE	
NOMINAL IMPEDANCE(Ω)	50
FREQUENCY RANGE	DC-6GHz
VSWR	$\leq 1.10@0-3\text{GHz}$
	$\leq 1.2@3-6\text{GHz}$
PIM(dBc)	$\leq -163(2*43\text{dBm})$
INSERT LOSS	≤ 0.1
INSULATION RESISTANCE(M Ω)	≥ 5000
PROOF VOLTAGE(V)	2500
CONTACT RESISTANCE(m Ω)	OUTER CONDUCTOR <1.0
	INNER CONDUCTOR <0.25
2. MECHANICAL PERFORMANCE	
RETENTION	$\geq 4\text{N}$ (OUTER CONDUCTOR)
	$\geq 1.5\text{N}$ (INNER CONDUCTOR)
MATING CYCLES	100
INNER CONDUCTOR TORQUE	25 N
CORROSION RESISTANCE	96h salt fog
3. MATERIAL AND PLATING	
INNER CONDUCTOR	SPRING COPPER Ag5 μm
BODY	BRASS TIN-NICKEL ALLOY2 μm
OUTER CONDUCTOR	SPRING COPPER Ag5 μm
INSULATOR	PTFE
4. ENVIRONMENT	
TEMP.RANGE	-40 $^{\circ}\text{C}$ ~+85 $^{\circ}\text{C}$
WEATHER STANDARD	IEC 60068 40 / 085/ 21
THERMAL SHOCK	IEC 60068 -2-14-Na
VIBRATION	IEC 60068-2-6-Fc
SHOCK	IEC 60068-2-27
ROHS COMPLIANT	

