

RFCOMPONENTS.COM.AU

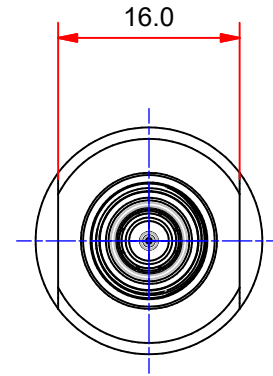
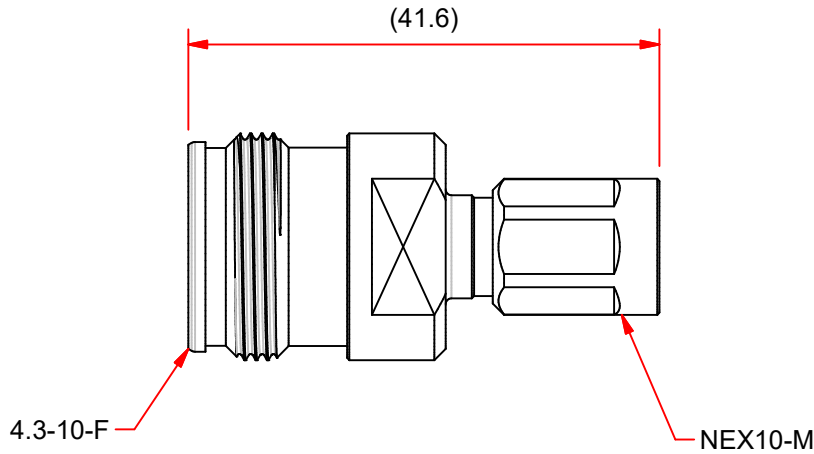
4.3-10 to NEX10 Adaptor

DC-6 GHz, 4.3-10 Female to NEX10 Male RF Coaxial Adaptor

RFADP-4.3F-NEX10M

LOW PIM SERIES

Rev 2



REFERENCE STANDARD
1. ELECTRIC PERFORMANCE
NOMINAL IMPEDANCE(Ω)
FREQUENCY RANGE
VSWR

PIM(dBc)
INSERT LOSS
INSULATION RESISTANCE(M Ω)
PROOF VOLTAGE(V)
CONTACT RESISTANCE(m Ω)

2. MECHANICAL PERFORMANCE
RETENTION

MATING CYCLES
INNER CONDUCTOR TORQUE
CORROSION RESISTANCE

3. MATERIAL AND PLATING
INNER CONDUCTOR
BODY
OUTER CONDUCTOR
INSULATOR

4. ENVIRONMENT
TEMP.RANGE
WEATHER STANDARD
THERMAL SHOCK
VIBRATION
SHOCK
ROHS COMPLIANT

IEC61165-54&NEX 10

50
DC-6GHz
 $\leq 1.10@0-3\text{GHz}$
 $\leq 1.2@3-6\text{GHz}$
 $\leq -163(2*43\text{dBm})$

≤ 0.1
 ≥ 5000
2500
OUTER CONDUCTOR <1.0
INNER CONDUCTOR <0.25

$\geq 4\text{N}$ (OUTER CONDUCTOR)
 $\geq 1.5\text{N}$ (INNER CONDUCTOR)

100
25 N
96h salt fog

SPRING COPPER Ag5 μm
BRASS TIN-NICKEL ALLOY2 μm
SPRING COPPER Ag5 μm
PTFE

-40 $^{\circ}\text{C}$ ~+85 $^{\circ}\text{C}$
IEC 60068 40 / 085/ 21
IEC 60068 -2-14-Na
IEC 60068-2-6-Fc
IEC 60068-2-27

