

RFCOMPONENTS.COM.AU

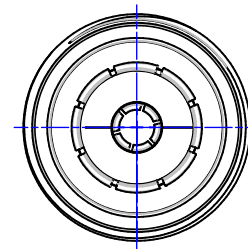
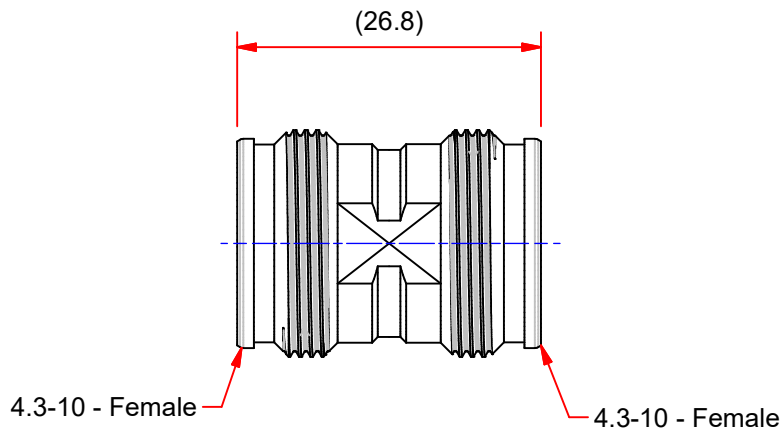
## 4.3-10 to 4.3-10 Adaptor

DC-6 GHz, 4.3-10 Female to 4.3-10 Female RF Coaxial Adaptor

**RFADP-4.3F-4.3F**

**LOW PIM SERIES**

Rev 2



REFERENCE STANDARD	IEC61165-54
1. ELECTRIC PERFORMANCE	
NOMINAL IMPEDANCE( $\Omega$ )	50
FREQUENCY RANGE	DC-6GHz
VSWR	$\leq 1.06@0-3\text{GHz}$
	$\leq 1.1@3-6\text{GHz}$
PIM(dBc)	$\leq -160(2*43\text{dBm})$
INSERT LOSS	$\leq 0.1$
INSULATION RESISTANCE(M $\Omega$ )	$\geq 5000$
PROOF VOLTAGE(V)	2500
CONTACT RESISTANCE(m $\Omega$ )	OUTER CONDUCTOR <1.0
	INNER CONDUCTOR <0.25
2. MECHANICAL PERFORMANCE	
RETENTION	$\geq 4\text{N}$ (OUTER CONDUCTOR)
	$\geq 1.5\text{N}$ (INNER CONDUCTOR)
MATING CYCLES	100
AXIAL FORCE	200 N
INNER CONDUCTOR TORQUE	0.3 N.m
IP CLASS	IP 67
CORROSION RESISTANCE	96h salt fog
3. MATERIAL AND PLATING	
INNER CONDUCTOR	SPRING COPPER Ag5 $\mu\text{m}$
BODY	BRASS TIN-NICKEL ALLOY2 $\mu\text{m}$
OUTER CONDUCTOR	SPRING COPPER Ag5 $\mu\text{m}$
INSULATOR	PTFE
4. ENVIRONMENT	
TEMP.RANGE	-40 $^{\circ}\text{C}$ ~+85 $^{\circ}\text{C}$
WEATHER STANDARD	IEC 60068 40 / 085/ 21
THERMAL SHOCK	IEC 60068 -2-14-Na
VIBRATION	IEC 60068-2-6-Fc
SHOCK	IEC 60068-2-27
ROHS COMPLIANT	

