

RFCOMPONENTS.COM.AU



## Coaxial Fixed Attenuator

## RFAB06XX4310C100

DC-6 GHz, 6 - 60 dB, 100 Watts, 4.3-10 Male to Female, **Bi-Directional Operation**

Rev 2

### Electrical

Impedance	50 ohm				
Frequency Range	DC-6 GHz				
VSWR	1.25 max				
Input Avg Power	100W@ 25°C ambient, derating linearly to 10W at 100°C				
Peak Power	5kW (5 micro-sec pulse width, 0.5% duty cycle)				
Direction	Bidirectional, 4.3-10 female to 4.3-10 male (other configurations available)				
Attenuation(dB)	6-10	20	30	40	50,60
Accuracy(dB)	±0.8	±0.8	±0.9	±0.9	±1.0

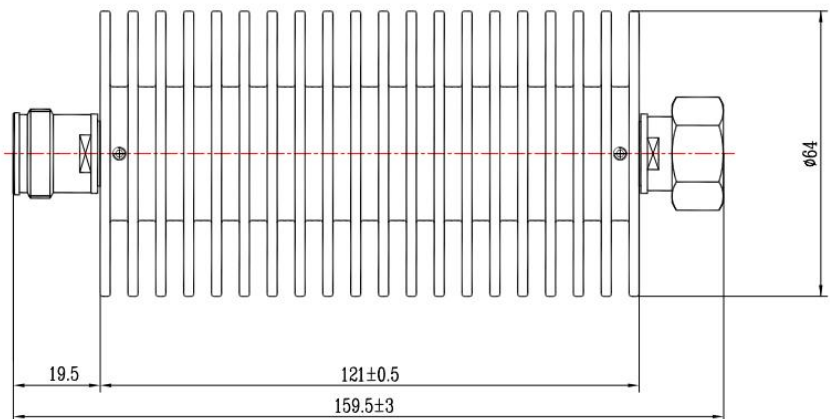
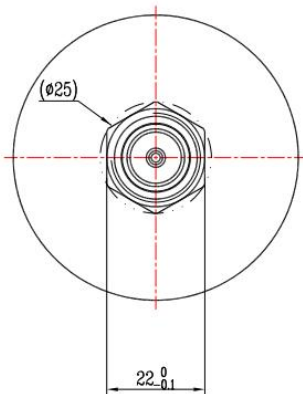
### Mechanical

Connector Body	Ternary alloy plated brass
Heat Sink	Black anodized aluminum
Center Contact	Gold plated beryllium copper/brass
Net Weight	About 650 g

### Environmental

Operating Temperature	-55°C to 100°C
Storage Temperature	-55°C to 125°C
RoHS	Compliant
Temperature Coefficient	<0.0004 dB/dB/°C

### Dimensions(mm)



### Notes

- To maintain best performance, recommended to use fan to keep the case temperature under 85°C.
- Customized dB values, outlines and optimal accuracy/VSWR available.

### Model Description

**RFAT06XX4310C100**

1. **XX** for dB value: 06=6dB,30=30dB

2. Code for connector configuration:

**A**=female for two ends; **B**=male for two ends

**C**=female for one end and male for the other.